



**Ice Machine Part List for  
SF600/SN650 Flake / Nugget Series**

**SF0606A**

**SN0658A**

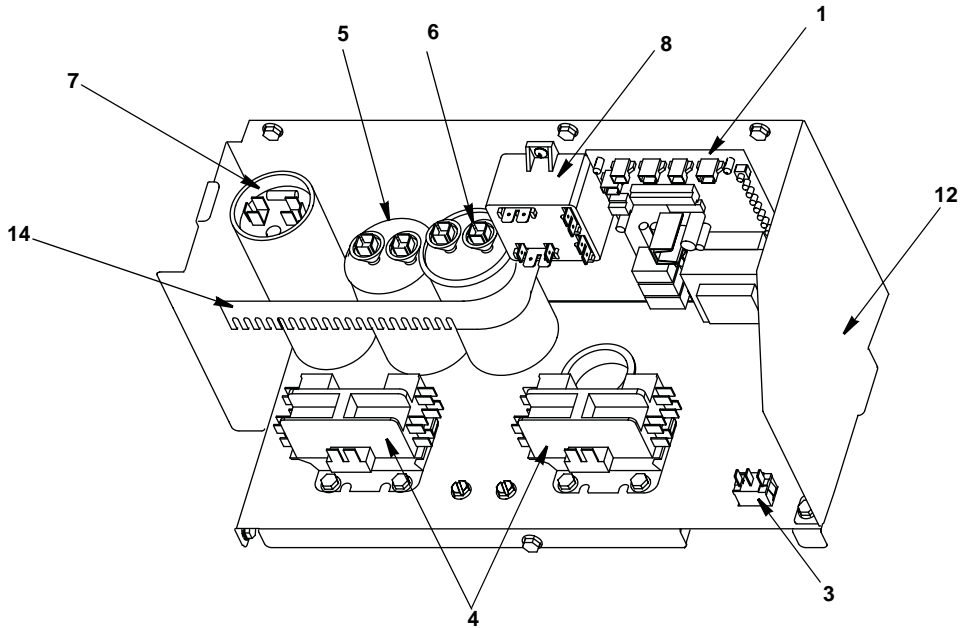
**SF0607W**

**SN0659W**

**SF0696N**

**SN0698N**

## SF0600/SN0650 CONTROL BOX



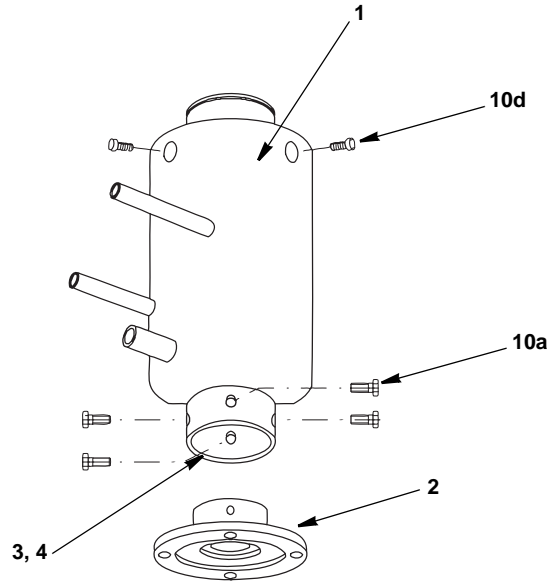
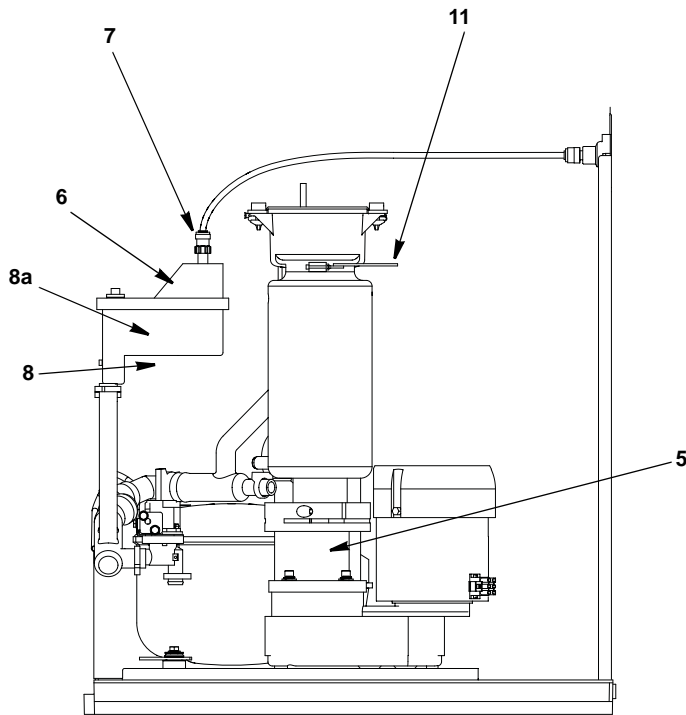
### DESCRIPTION

### PART NUMBER

1	Control Board	
	a. 115V .....	20-0913-3
	b. 230V .....	000001238
	c. Supports .....	43-0225-3
	d. Screws .....	52-0206-9
2	10 amp Fuse – Mounted on Control Board (Not shown) .....	25-1149-3
3	<b>Toggle Switch</b> .....	20-0793-9
	a. Toggle Switch Wiring Harness .....	20-0995-3
4	<b>Contactor</b>	
	a. 115V/60 Hz/1 ph .....	20-0658-9
	b. 230V/50-60 Hz/1 ph .....	20-0659-9
5	<b>Run Capacitor</b> (115V/60 Hz/1 ph & 230V/50 Hz/1 ph) .....	000000029
6	<b>Run Capacitor</b>	
	a. 115V/60 Hz/1 ph .....	20-1014-3
	b. 230V/50 Hz/1 ph .....	20-0949-3
7	<b>Start Capacitor</b>	
	a. 115V/60 Hz/1 ph .....	85-0577-3
	b. 230V/50 Hz/1 ph .....	000000022
8	<b>Start Relay</b>	
	a. 115V/60 Hz/1 ph .....	20-0205-3
	b. 230V/50 Hz/1 ph .....	20-0792-9
	c. 230V/60 Hz/1 ph .....	20-0763-3
9	Wiring Harness (Not shown)	
	a. 115V/60 Hz/1 ph .....	20-0993-3
	b. 230V/50 Hz/1 ph .....	20-0994-3
10	Start Capacitor Wiring Harness .....	20-0995-3
11	Compress to Control Board Wiring Harness .....	20-0996-3
<b>Miscellaneous – Brackets, Screws, etc.</b>		
12	Control Box .....	607303-1
13	Control Box Cover (Not shown) .....	000000934
	a. Screw .....	52-0206-9
14	Capacitor Mounting Strap .....	602160-1
15	Screw (10-24 x 3/8) .....	50-0412-9
16	Ground Screw .....	52-0216-9
17	Bushing (Small) .....	25-0140-9



# SF0600/SN0650 EVAPORATOR ASSEMBLY

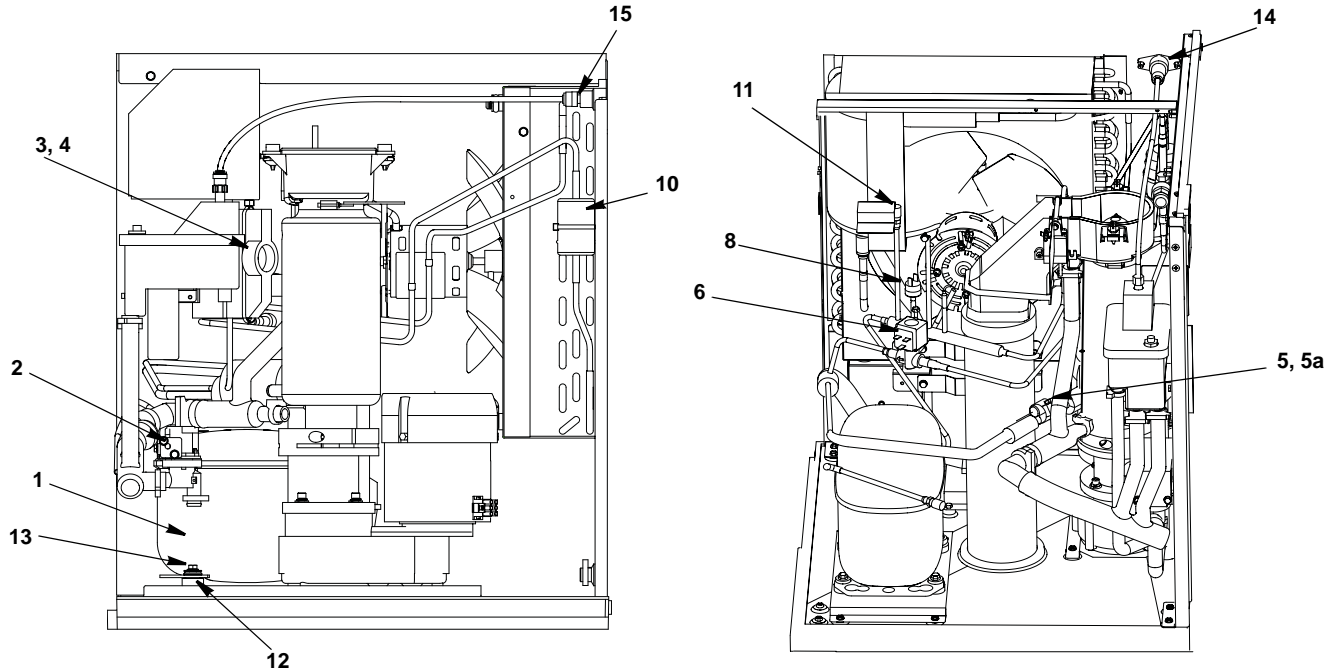


## DESCRIPTION

## PART NUMBER

1	<b>Evaporator Assembly</b>	
	a. Nugget . . . . .	30-0675-3
	b. Flake . . . . .	000000483
2	Evaporator Foundation . . . . .	30-0668-3
3	Splined Hub . . . . .	76-0077-3
4	Coupler . . . . .	76-0076-3
5	<b>Gear Motor Assembly</b> . . . . .	20-0955-3
6	Float Chamber (includes float, switch, cover & housing) . . . . .	40-1337-3
7	Compression Nut . . . . .	56-5072-9
<b>Miscellaneous – Brackets, Screws, etc.</b>		
8	Float Valve Bracket . . . . .	607253-1
	a. Screw . . . . .	52-0206-9
9	Gear Motor Bracket . . . . .	607188-1
	a. Screw . . . . .	50-0029-3
10	Evaporator Mounting to Gear Motor	
	a. Bolt . . . . .	50-0027-3
	b. Flatwasher . . . . .	55-7304-9
	c. Lockwasher . . . . .	55-4511-9
	d. Screw . . . . .	50-0026-9
	e. O-ring . . . . .	50-0620-3
11	Metal Ring Clamp (secures evaporator to ice chute) . . . . .	000000464

## SF0600/SN0650 REFRIGERATION COMPARTMENT

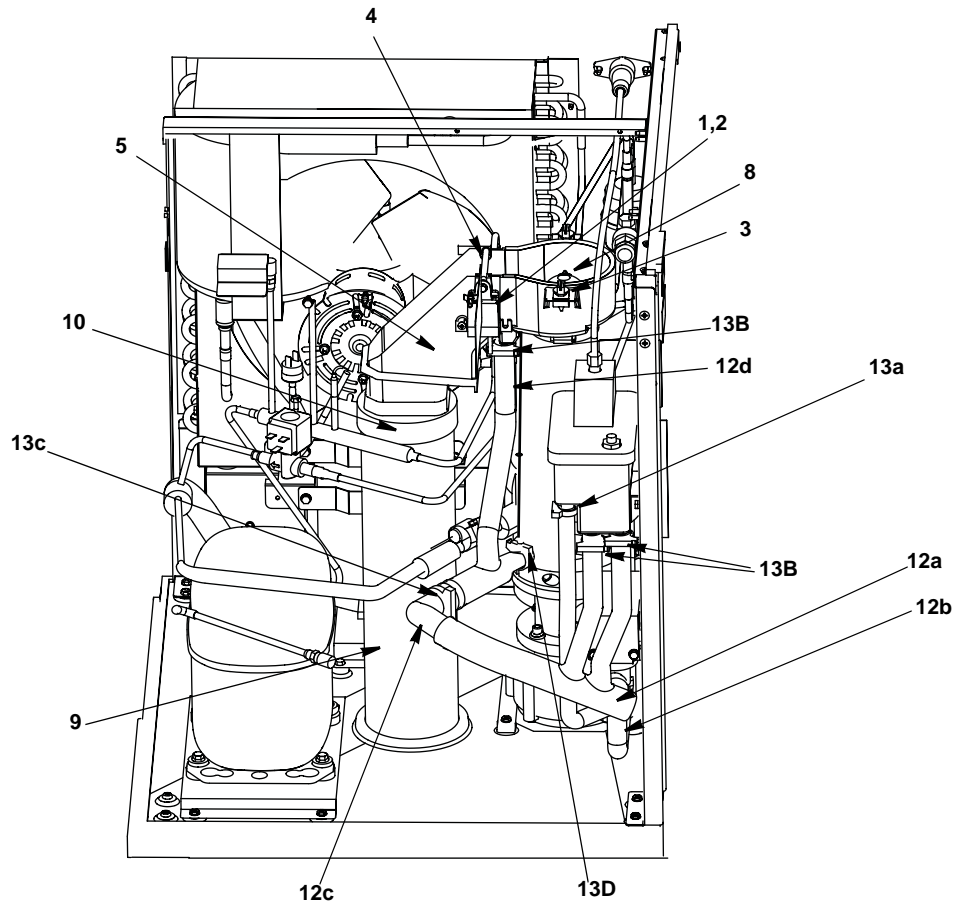


### DESCRIPTION

### PART NUMBER

<b>1 Compressor</b>	
a. 115V/60 Hz/1 ph . . . . .	76-0294-3
b. 230V/50 Hz/1 ph . . . . .	76-0296-3
c. Compressor Overload. . . . .	82-5297-3
<b>2 Water Dump Valve</b>	
a. 115V/60 Hz/1 ph . . . . .	000000033
b. 230V/50 Hz/1 ph . . . . .	000000032
<b>3 Expansion Valve</b>	
a. Nugget . . . . .	000000937
b. Flake . . . . .	000000635
<b>4 Expansion Valve Body Insulation Boot.</b>	40-0040-3
<b>5 Expansion Valve Bulb Insulation Boot</b>	
a. Copper Expansion Valve Bulb Strap . . . . .	30-0083-3
b. Clamp . . . . .	56-5052-9
<b>6 Liquid Line Solenoid Valve</b>	
a. 115V . . . . .	76-3002-1
b. 208-230V . . . . .	76-3008-1
<b>7 Liquid Line Solenoid Coil</b>	
a. 115V/60 Hz/1 ph . . . . .	20-0176-3
b. 230V/50 Hz/1 ph . . . . .	20-0177-3
<b>8 High Pressure Control</b>	†20-0124-3
<b>9 Manifold Strainer</b>	83-1023-3
<b>10 Liquid Line Drier</b>	82-5331-3
<b>Miscellaneous – Brackets, Screws, etc.</b>	
<b>11 Access Valves</b>	83-7325-3
<b>12 Compressor Base</b>	607189-1
a. Screw . . . . .	50-1231-9
<b>13 Compressor Mounting</b>	
a. Grommet . . . . .	50-0089-9
b. Screw . . . . .	50-0093-9
c. Sleeve . . . . .	50-0090-9
d. Washer . . . . .	50-0097-9
<b>14 Water Inlet Female Wing Adapter</b>	† 87-0609-3
a. Screw . . . . .	† 52-0206-9
<b>15 Male Connector</b>	13-6096-1
<b>16 Water Inlet Tubing 1/4" (Not shown)</b>	000000037
<b>17 Water Inlet tubing insulation (Not shown)</b>	604290-1
<b>18 Water Dump Valve Guard</b>	000000008
a. Screw . . . . .	52-0232-9

## SF0600/SN0650 REFRIGERATION COMPARTMENT (CONTINUED)

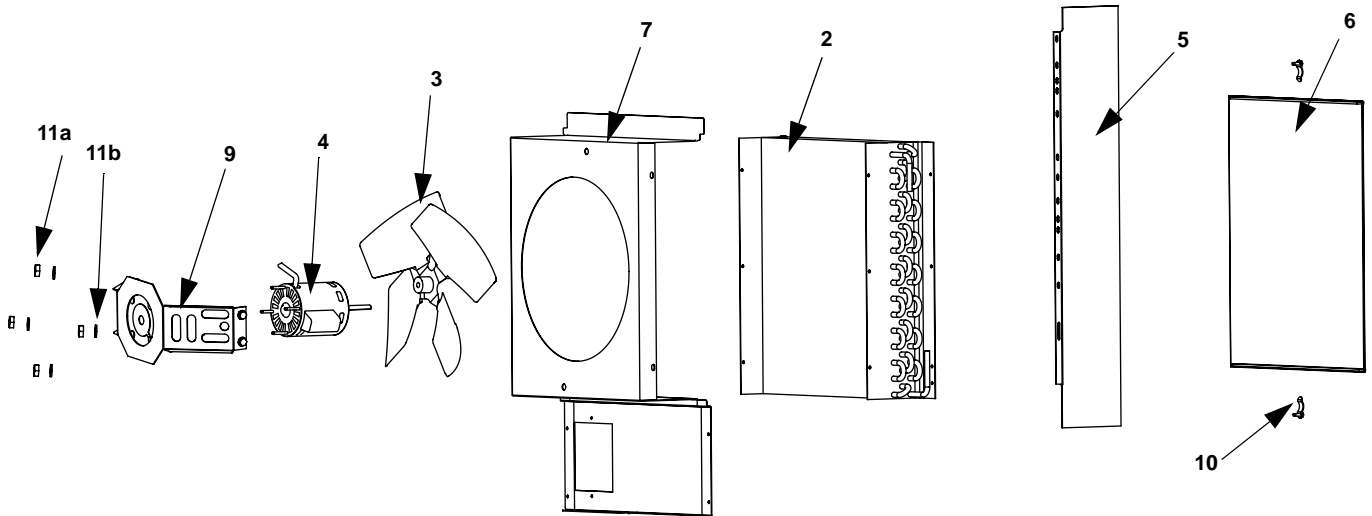


### DESCRIPTION

### PART NUMBER

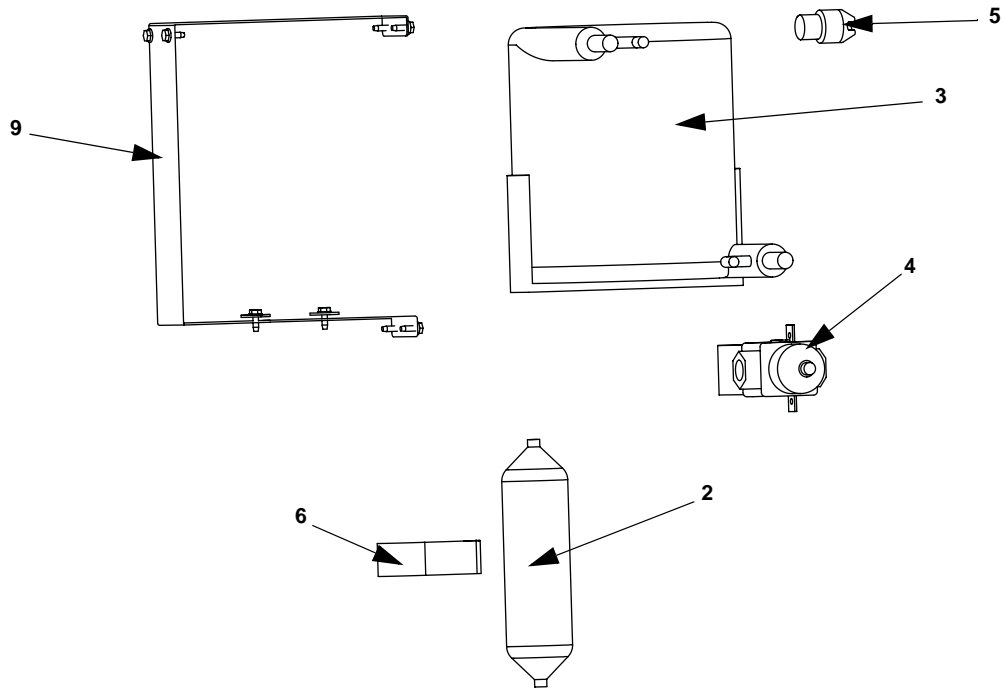
1	Hall Effect Switch with Wiring .....	20-0979-3
2	Hall Effect Switch Housing .....	20-0980-3
	a. Screw .....	51-2162-9
3	Receptacle .....	56-5085-3
	a. Winghead .....	50-0045-3
4	Damper Door	
	a. Nugget .....	40-1444-3
	b. Flake .....	000000710
5	Ice Chute .....	40-1336-3
6	Strainer Ramp (Not Shown) .....	40-1488-3
7	Chute Cover - sits on receptacle (Not Shown) .....	40-1346-3
8	Ice Wiper	
	a. Nugget .....	40-1536-3
	b. Flake .....	000000485
9	Ice Tube Base .....	40-1567-3
10	Ice Chute/Ice Tube Union .....	40-1566-3
<b>Miscellaneous – Brackets, Screws, etc.</b>		
11	Secure Ice Chute to Evaporator	
	a. Clamp Assembly .....	000000464
12	Molded Vinyl Tubes	
	a. Float Chamber Tube .....	000000003
	b. Drain .....	000000007
	c. Elbow (connects Float Chamber Tube to Ice Chute Drain Tube) .....	000000009
	d. Ice Chute Drain Tube .....	000000005
13	Snap Clamps	
	a. 1.25" ID .....	56-5053-9
	b. 1" ID .....	56-5070-9
	c. 3/4" ID .....	56-5099-3
	d. .759/.848 ID .....	56-5064-9

# SF0600/SN0650 REFRIGERATION COMPARTMENT – AIR-COOLED



DESCRIPTION	PART NUMBER
1 Compressor (Refer to COMMON PARTS PAGE) .....	Page 4
2 Air Condenser .....	82-5213-9
3 Fan Blade .....	24-1620-3
4 <b>Fan Motor</b>	
a. 115V/1 ph/60 Hz .....	20-0824-3
b. 208-230V/60 Hz or 230V/50 Hz .....	20-0825-3
5 Air Baffle .....	40-1532-3
6 Air Filter .....	30-0556-3
<b>Miscellaneous – Brackets, Screws, etc.</b>	
7 Fan Shroud .....	607320-1
8 Fan Bracket Mounting Screw .....	50-3238-9
9 Fan Motor Bracket .....	607246-1
10 Air Filter Clip .....	56-5069-9
11 Fan Motor to Bracket Mounting	
a. Nut .....	000000936
b. Flatwasher .....	55-7305-9
12 Back Corner Channel	
a. Right .....	607232-1
b. Left .....	607231-1

# SF0600/SN0650 REFRIGERATION COMPARTMENT – WATER-COOLED



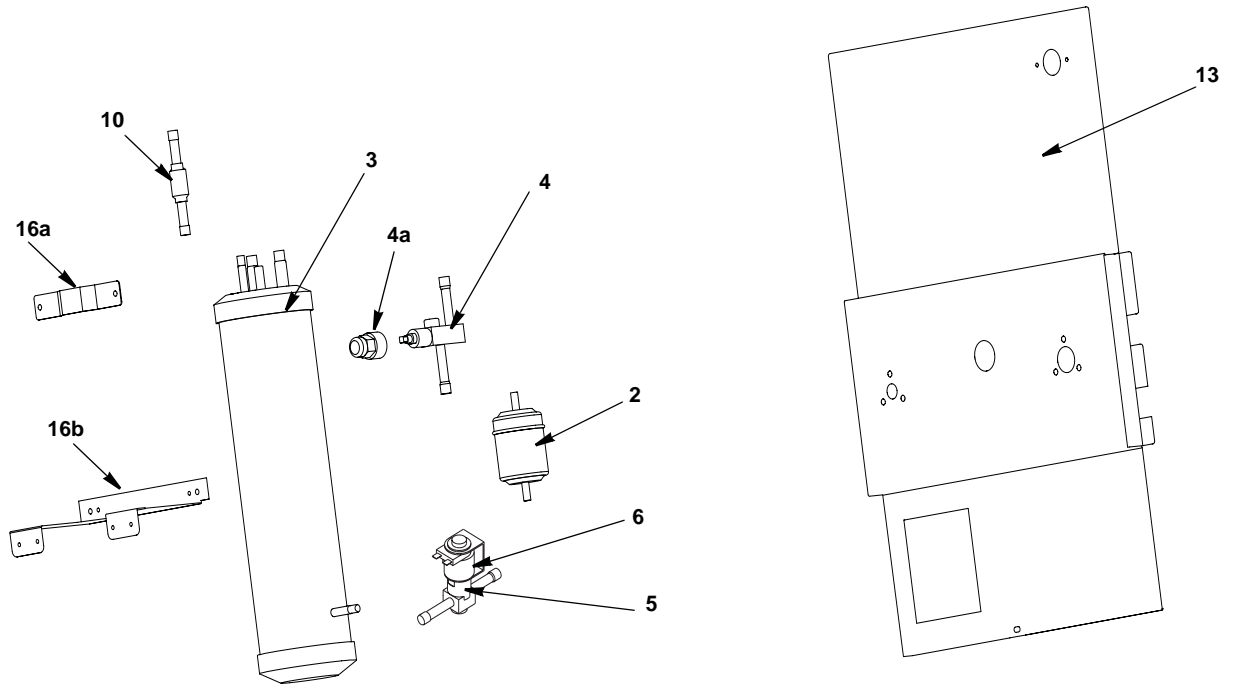
## DESCRIPTION

DESCRIPTION	PART NO.
1 Compressor (Refer to COMMON PARTS Page) . . . . .	Page 4
2 Receiver . . . . .	12-0003-1
3 Water-Cooled Condenser . . . . .	† 88-6532-3
4 Water Regulating Valve . . . . .	83-7206-9
5 Water Drain Female Wing Adapter . . . . .	87-0610-3

## Miscellaneous – Brackets, Screws, etc.

6 Receiver Strap . . . . .	600054-1
7 Screw . . . . .	52-0206-9
8 Washer . . . . .	55-7341-9
9 Water Condenser Bracket . . . . .	000000125
10 Back Corner Channel	
a. Right . . . . .	607236-1
b. Left . . . . .	607231-1

# SF0600/SN650 REFRIGERATION COMPARTMENT – REMOTE



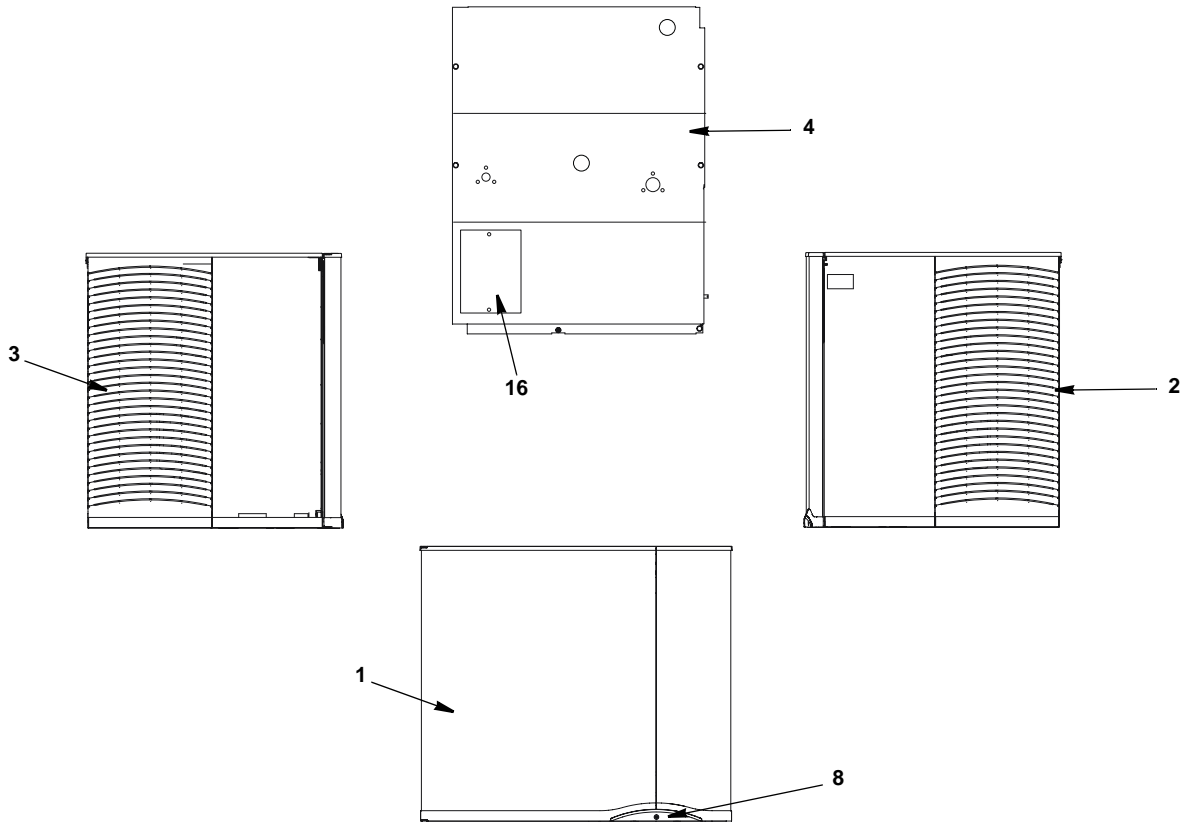
## DESCRIPTION

	<b>PART NO.</b>
1 Compressor (Refer to COMMON PARTS) . . . . .	Page 4
2 Drier . . . . .	82-5332-3
3 Receiver . . . . .	82-5058-3
4 Refrigeration Service Valve . . . . .	† 83-7316-9
a. Cap for Refrigeration Service Valve . . . . .	56-5075-9
5 Liquid Line Solenoid Valve . . . . .	
a. 115V/60 Hz/1 ph . . . . .	76-3002-1
b. 230V/50 Hz/1 ph . . . . .	76-3008-1
6 Liquid Line Solenoid Coil . . . . .	
a. 115V/60 Hz/1 ph . . . . .	20-0176-3
b. 230V/50 Hz/1 ph . . . . .	20-0177-3
7 Coupling – Male, 5/8-18 . . . . .	† 83-6034-3
8 Coupling – Male, 1-1/6-12 . . . . .	† 83-6035-3
9 Coupling – Reducing 3/8 x 1/4 . . . . .	50-0067-3
10 Check Valve . . . . .	83-7314-9

## Miscellaneous – Brackets, Screws, etc.

11 Coupling Mounting Flange for 1/4-3/8 . . . . .	83-6005-3
12 Coupling Mounting Flange for 1/2-7/8 . . . . .	83-6006-3
13 Back Panel . . . . .	607257-1
14 Screw, #10-24 x .50 . . . . .	† 52-0206-9
15 Bolt Retainer Pushnut . . . . .	54-7488-9
16 Receiver Mounting . . . . .	
a. Top . . . . .	607288-1
b. Middle . . . . .	607309-1
17 Back Corner Channel . . . . .	
a. Right . . . . .	607236-1
b. Left . . . . .	607231-1

## SF0600/SN0650 PANELS



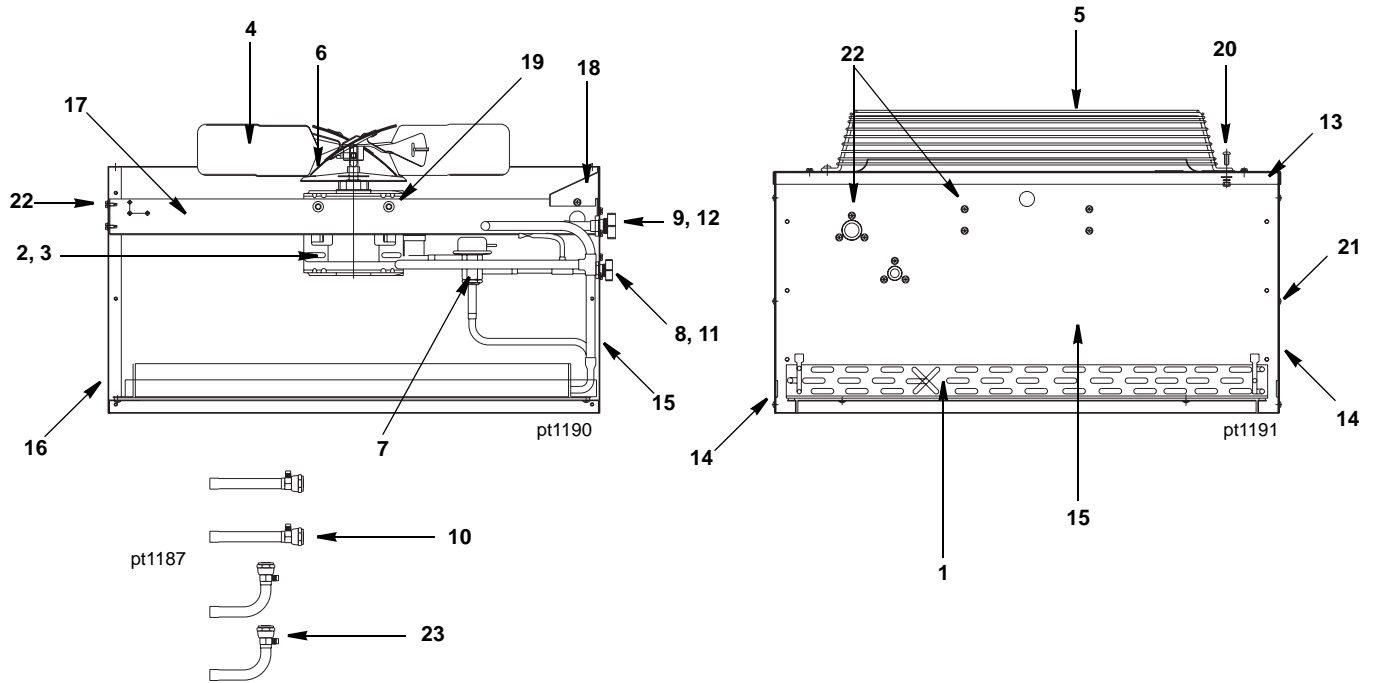
### DESCRIPTION

DESCRIPTION	PART NO.
1 Front Panel . . . . .	607260-1
2 Right Side Panel . . . . .	606054-1
3 Left Side Panel . . . . .	606055-1
4 Back Panel, Water . . . . .	607257-1
5 Top Cover (Not Shown) . . . . .	40-1543-3
6 Air Baffle (Not Shown) . . . . .	40-1532-3
7 Air Filter (Not Shown) . . . . .	30-0556-3

### Miscellaneous – Brackets, Screws, etc.

8 Front Panel Screw . . . . .	000000260
9 Air Filter Clip . . . . .	56-5069-9
10 Top Cover Bracket . . . . .	000000263
11 Top Front Bracket . . . . .	000000010
12 Top Support Brace . . . . .	607256-1
13 Front Corner Channel . . . . .	607305-1
a. Scw 12-16 x .5 . . . . .	50-1231-9
14 Top Channel . . . . .	607237-1
a. Screw 10-24 x .5 . . . . .	52-0206-9
15 Back Panel . . . . .	
a. Screw 12-16 x .5 . . . . .	50-1231-9
b. Screw 10-24 x .5 . . . . .	52-0209-9
16 Rear Connection Box Cover . . . . .	606729-9
17 Rear Connection Box . . . . .	606728-9
a. Terminal Bock . . . . .	20-0614-3
b. Ground Wire . . . . .	20-0850-3
c. Ground Screw . . . . .	52-0216-9

# JC0495 REMOTE CONDENSER



## DESCRIPTION

	<b>PART NO.</b>
1 Air Condenser . . . . .	† 88-5063-9
2 Fan Motor (115V/60 Hz/1 Ph) . . . . .	† 76-2942-3
3 Fan Motor Run Capacitor . . . . .	85-0352-3
4 Fan Blade . . . . .	24-1611-3
5 Fan Guard . . . . .	34-0064-3
6 Rain Slinger . . . . .	24-1505-3
7 Head Pressure Control . . . . .	83-6809-3
8 Coupling – Male, 5/8-18 . . . . .	† 83-6034-3
9 Coupling – Male, 1-1/6-12 . . . . .	† 83-6035-3
10 Female Line Set Coupling Kit (Sold as Finished Goods Sales Kit) . . . . .	Sales K0129

## Miscellaneous – Brackets, Screws, etc.

11 Coupling Mounting Flange (for 5/8-18) . . . . .	83-6005-3
12 Coupling Mounting Flange (for 1-1/16-12) . . . . .	83-6006-3
13 Top Cover . . . . .	† 601775-1
14 Panel – Side . . . . .	† 601774-1
15 Panel – Rear . . . . .	† 601773-1
16 Panel – Front . . . . .	† 601772-1
17 Fan Motor Mounting Bracket . . . . .	† 601768-1
18 Electrical Box Cover . . . . .	† 601776-1
19 <b>Fan Motor Mounting Screw</b> (5/16-18 x 5/8) . . . . .	† 50-3565-9
a. Fan Motor Mounting Flatwasher . . . . .	† 55-7309-9
b. Fan Motor Mounting Lockwasher . . . . .	† 55-7313-9
c. Fan Motor Mounting Hexnut . . . . .	54-2975-9
20 <b>Fan Guard Mounting Screw</b> (1/4-20 x 5/8) . . . . .	† 50-3345-9
a. Fan Guard Mounting Flatwasher . . . . .	† 55-7304-9
b. Fan Guard Mounting Lockwasher . . . . .	† 55-4511-9
c. Fan Guard Mounting Hexnut . . . . .	† 54-2952-9
21 <b>Panel/Condenser Mounting Screw</b> (#8 x 1/2) . . . . .	† 51-2153-9
a. Panel/Condenser Mounting Lockwasher . . . . .	† 55-4459-9
22 Screw (#10-24 x 1/2) . . . . .	† 52-0206-9
23 Valve Cores (used in linesets) . . . . .	76-2684-3

† Refer to Cross Reference Guide