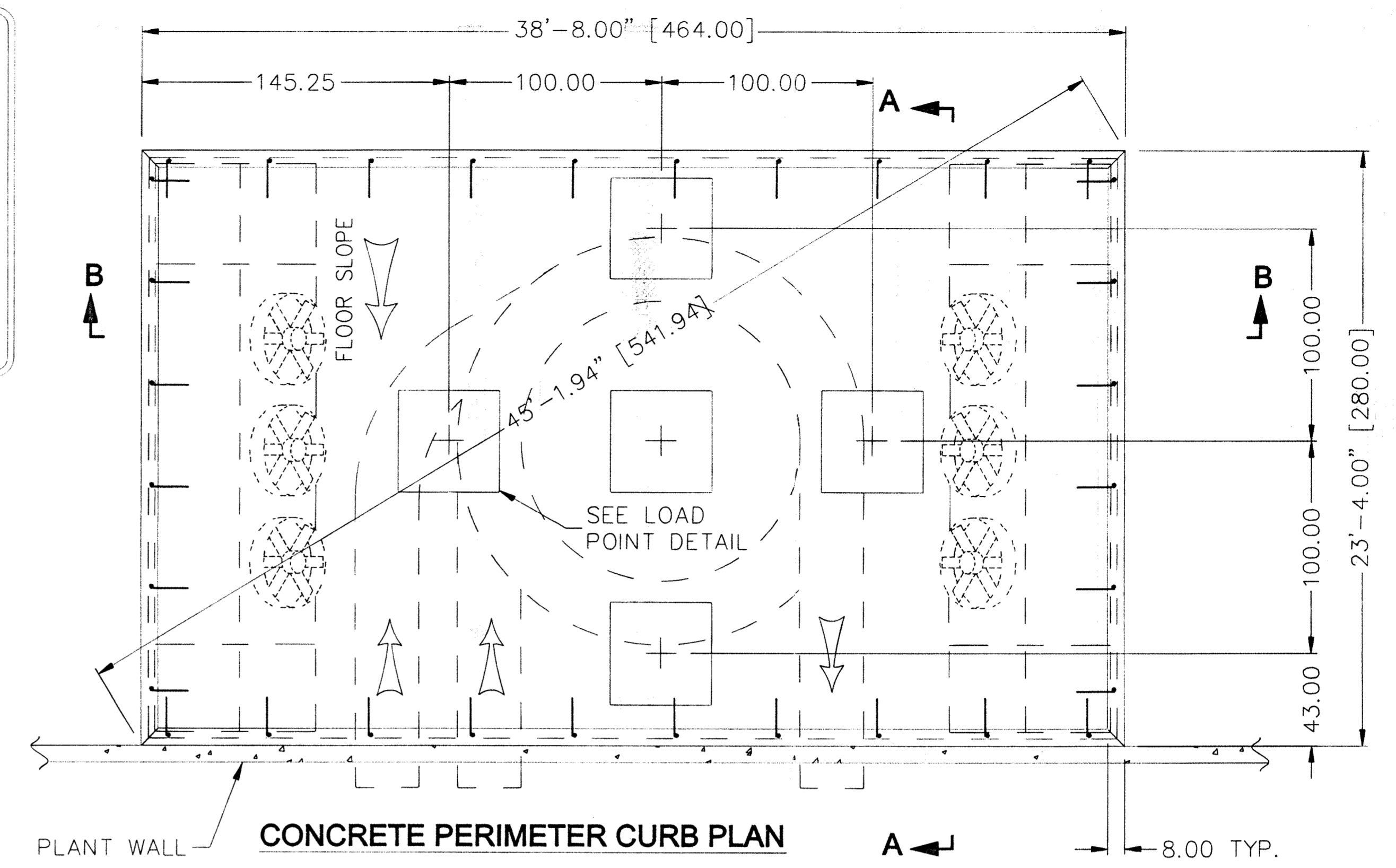


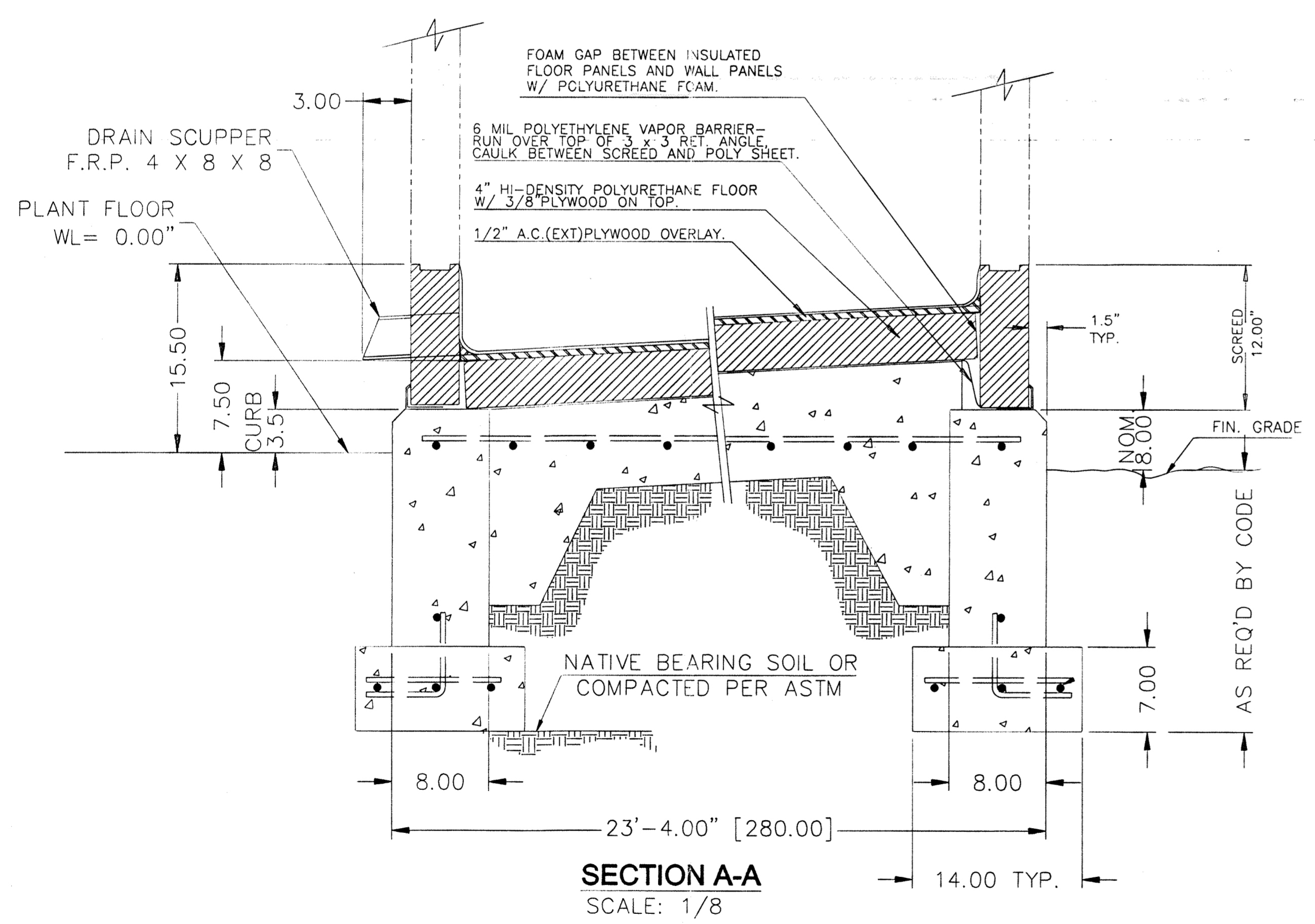
CONCRETE CURB ELEVATION MUST BE LEVEL AROUND PERIMETER OF SLAB.
TOLERANCE: 1/4" IN 10'-0".

SUGGESTED CONCRETE PAD CALCULATIONS ARE REQUIRED TO OBTAIN REQUIRED PERMITS AND/OR MEET LOCAL CODES, THE OWNER WILL BE REQUIRED TO OBTAIN THE SERVICES OF A PROFESSIONAL ENGINEER.

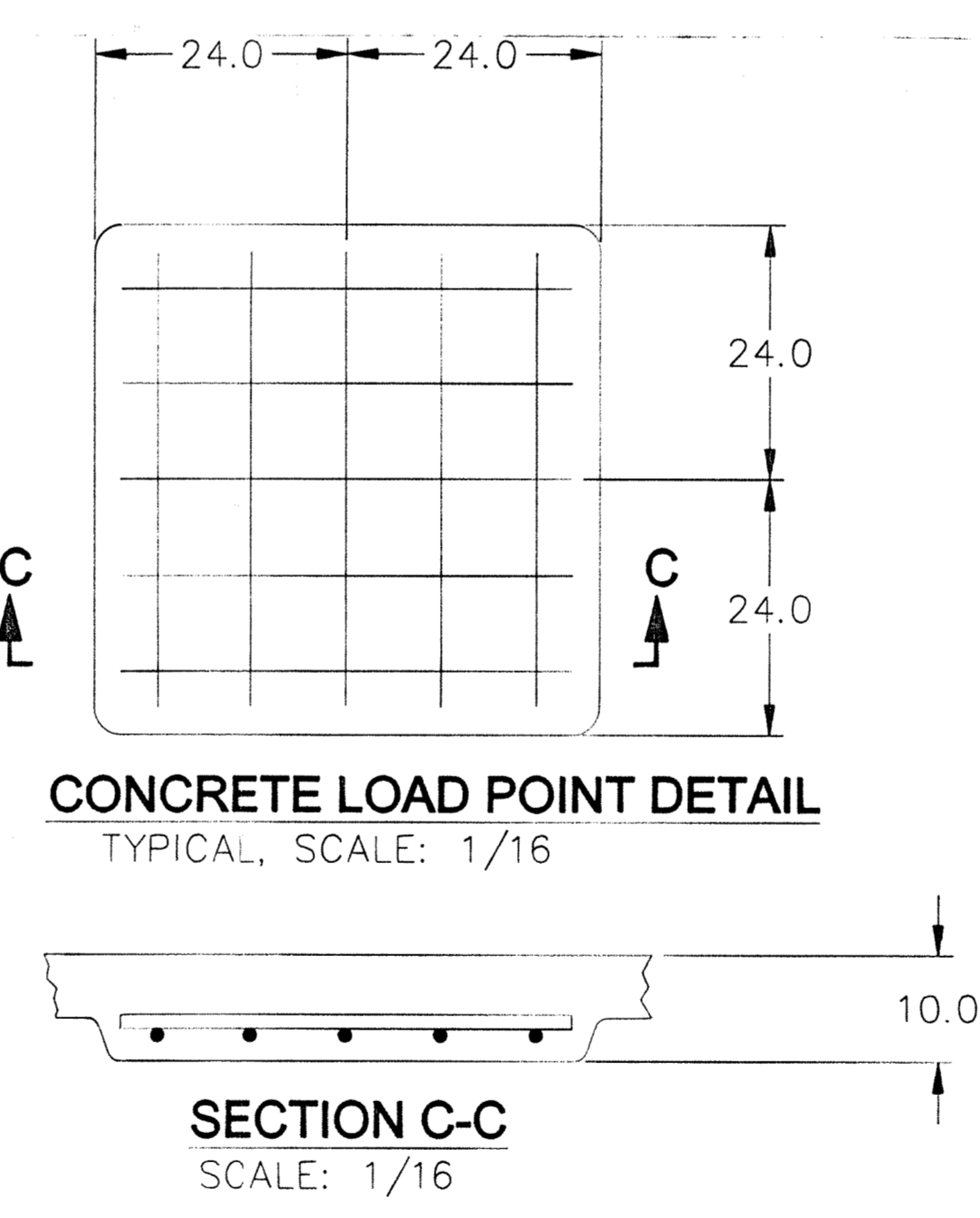


CONCRETE ISOMETRIC

CONCRETE PERIMETER CURB PLAN

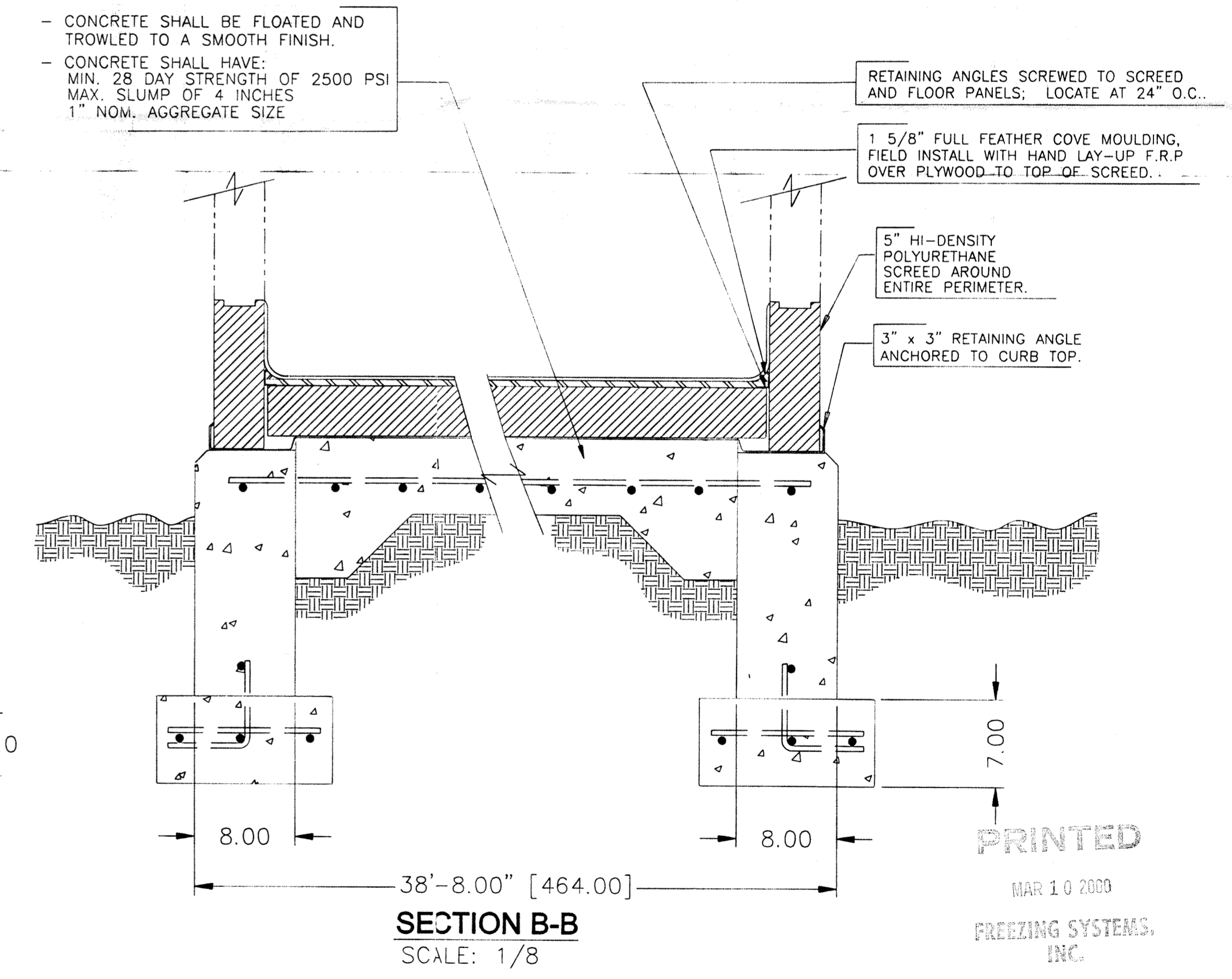


SECTION A-A
SCALE: 1/8



CONCRETE LOAD POINT DETAIL
TYPICAL, SCALE: 1/16

SECTION C-C
SCALE: 1/16



SECTION B-B
SCALE: 1/8

- CONCRETE SHALL BE FLOATED AND TROWLED TO A SMOOTH FINISH.
- CONCRETE SHALL HAVE: MIN. 28 DAY STRENGTH OF 2500 PSI MAX. SLUMP OF 4 INCHES 1" NOM. AGGREGATE SIZE

RETAINING ANGLES SCREWED TO SCREED AND FLOOR PANELS; LOCATE AT 24" O.C..

1 5/8" FULL FEATHER COVE MOULDING, FIELD INSTALL WITH HAND LAY-UP F.R.P OVER PLYWOOD TO TOP OF SCREED.

5" HI-DENSITY POLYURETHANE SCREED AROUND ENTIRE PERIMETER.

3" x 3" RETAINING ANGLE ANCHORED TO CURB TOP.

PRINTED
MAR 10 2000
FREEZING SYSTEMS, INC.

REV	BY	DATE	DESCRIPTION
B	BJD	8-26-99	CURB WAS 268.50 X 498.50
C	BJD	1-25-00	RESIVED SECTION A-A, MOVED SCUPPERS TO PLANT FLOOR
A	BJD	7-30-99	REMOVED RE-BAR SPECIFICATIONS

THIS DRAWING CONTAINS DESIGNS AND OTHER INFORMATION WHICH ARE THE PROPERTY OF FREEZING SYSTEMS, INC. THIS DRAWING MAY NOT BE IN WHOLE OR IN PART BE DUPLICATED OR DISCLOSED OR USED FOR MANUFACTURE OF THE ITEMS DISCLOSED HEREIN WITHOUT PRIOR WRITTEN PERMISSION OF FREEZING SYSTEMS, INC. AND IS LOANED SUBJECT TO RETURN ON DEMAND.

PROJECT: DOMINEX
LOCATION: ELKTON, FL.

DRAWN BY BJD 7-14-99
CHECKED BY
FORMAT BY AAA 7-10-97

NEXT ASSEMBLY		DWG NO.	NO. RECD.
Freezing Systems INCORPORATED		909D05	C
TITLE CONCRETE FLOOR DETAILS MODEL #: 3017(D)-(2)80-R18		SCALE 1/48	
		712D05	