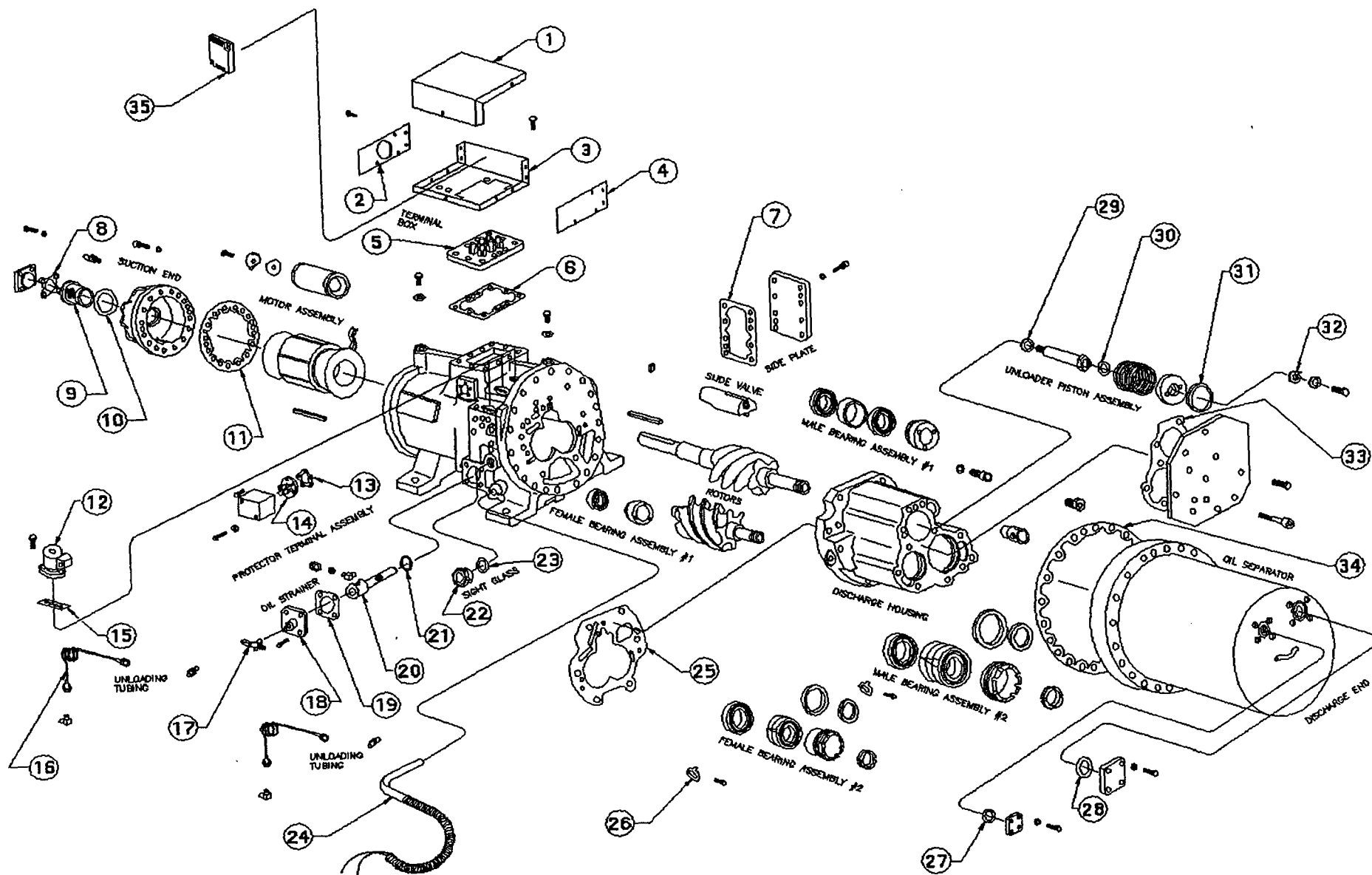


HITACHI SCREW COMPRESSOR EXPLODED SERVICE PARTS VIEW

MODELS: 4002 SC-H, 5002 SC-H, & 6002 SC-H



AC COMPONENT SPECIALISTS, INC. • P.O. BOX 500 • MARSHFIELD, MISSOURI 65706 • (417) 859-6067
 Authorized Nationwide HITACHI Screw Compressor and Replacement Parts Distributor
 ACCS SERVICE EXHIBIT NUMBER 100 - A © ACCS 1996

HITACHI SCREW COMPRESSOR SERVICE PARTS LIST

MODELS: 4002 SC-H, 5002 SC-H, & 6002 SC-H

Use in conjunction with ACCS Service Exhibit Number 100

BUBBLE	DESCRIPTION	QTY.	4002	5002	6002
1	POWER TERMINAL BOX LID	1	TER1A04A	TER1A04A	TER1A04A
2	POWER TERMINAL BOX -SIDE PLATE - LEFT	1	TER1A06A	TER1A06A	TER1A06A
3	POWER TERMINAL BOX	1	TER1A03A	TER1A03A	TER1A03A
4	POWER TERMINAL BOX SIDE PLATE - RIGHT	1	TER1A05A	TER1A05A	TER1A05A
5	MOTOR TERMINAL PLATE ASSEMBLY	1	TPA1A01A	TPA1A01A	TPA1A01A
6	GASKET TERMINAL PLATE ASSEMBLY	1	GSK1A04A	GSK1A04A	GSK1A04A
7	GASKET - SIDE PLATE	1	GSK1A09A	GSK1A09A	GSK1A09A
8	GASKET SUCTION FLANGE	1	GSK1A02A	GSK1A02A	GSK1A02A
9	SUCTION GAS STRAINER	1	STR1A02A	STR1A02A	STR1A02A
10	GASKET - GAS STRAINER	1	GSK1A01A	GSK1A01A	GSK1A01A
11	GASKET - MOTOR COVER	1	GSK1A05A	GSK1A05A	GSK1A05A
12	SOLENOID VALVE	3	SOL1A01A	SOL1A01A	SOL1A01A
13	GASKET - PROTECTOR TERMINAL	1	GSK1A22A	GSK1A22A	GSK1A22A
14	PROTECTOR TERMINAL PLATE ASSY.	1	TPA1A02A	TPA1A02A	TPA1A02A
15	GASKET - SOLENOID VALVE	3	GSK1A17A	GSK1A17A	GSK1A17A
16	UNLOADER PIPING	2	UNP1A01A	UNP1A01A	UNP1A01A
17	OIL VALVE	1	VLV1A04A	VLV1A04A	VLV1A04A
18	OIL STRAINER COVER W/VLV PORT	1	COV1A02A	COV1A02A	COV1A02A
19	GASKET - OIL STRAINER COVER	1	GSK1A03A	GSK1A03A	GSK1A03A
20	OIL STRAINER ASSEMBLY	1	STR1A01A	STR1A01A	STR1A01A
21	O - RING - OIL STRAINER	1	ORG1A01A	ORG1A01A	ORG1A01A
22	SIGHT GLASS ASSEMBLY	1	SGA1A01A	SGA1A01A	SGA1A01A
23	GASKET - SIGHT GLASS	1	GSK1A13A	GSK1A13A	GSK1A13A
24	CRANKCASE HEATER	1	CCH1Z01A	CCH1Z01A	CCH1Z01A
25	GASKET - DISCHARGE HOUSING	1	GSK1A19A	GSK1A20A	GSK1A20A
26	LOCK WASHER - #2 BEARING ASSY'S.	2	LKW1A01A	LKW1A01A	LKW1A01A
27	GASKET - SEALED FLANGE	1	N/A	GSK1A10A	GSK1A10A
28	GASKET - DISCHARGE FLANGE	1	GSK1A11A	GSK1A12A	GSK1A12A
29	SLIPPER RING - SHAFT	1	SLR1A01A	SLR1A01A	SLR1A01A
30	GASKET - UNLOADER PISTON ASSY.	1	GSK1A18A	GSK1A18A	GSK1A18A
31	SLIPPER RING - PISTON	1	SLR1A02A	SLR1A03A	SLR1A03A
32	LOCK WASHER - UNLOADER ASSY.	1	LKW1A02A	LKW1A02A	LKW1A02A
33	GASKET - END COVER	1	GSK1A15A	GSK1A16A	GSK1A16A
34	GASKET - OIL SEPARATOR	1	GSK1A06A	GSK1A07A	GSK1A07A
35	ELECTRONIC MOTOR PROTECTOR MOD	1	MOD1Z01A	MOD1Z01A	MOD1Z01A

AC COMPONENT SPECIALISTS, INC. • P.O. BOX 500 • MARSHFIELD, MISSOURI 65706 • (417) 859-6067

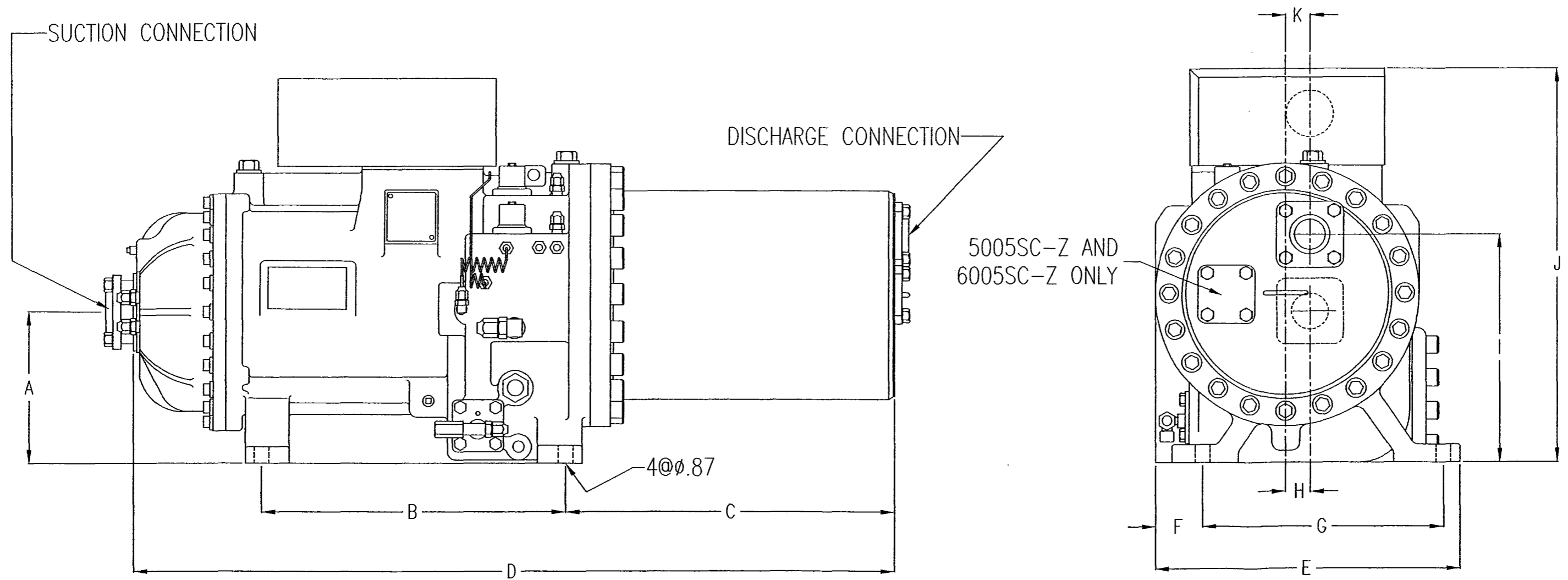
Authorized Nationwide HITACHI Screw Compressor and Replacement Parts Distributor


ACCS SERVICE EXHIBIT NUMBER 101

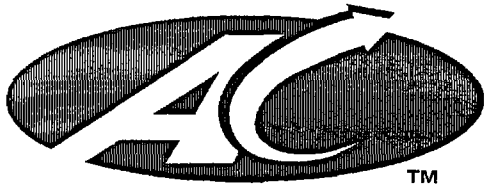
© ACCS 1996

REVISIONS				
REV	DESCRIPTION	BY	DATE	APPROVED

MODEL #	A	B	C	D	E	F	G	H	I	J	K
4005SC-Z	7.87	13.19	19.65	41.38	16.26	3.07	11.81	1.10	12.60	22.28	0.12
5005SC-Z	8.86	17.52	20.59	44.76	17.91	2.76	14.17	1.58	13.58	23.27	1.58
6005SC-Z	8.86	17.52	20.59	45.95	17.91	2.76	14.17	1.58	13.58	23.27	1.58



	TITLE: "5" SERIES COMPRESSOR DIMENSIONAL DATA 4005, 5005 & 6005		
	P. O. Box 500 997 Prairie Lane Marshfield, MD 65706 Phone: (417) 859-6067 Fax: (417) 859-2109	DWG NO. 01010090	DRAWN BY: RSI
DATE: 01/05/99	SCALE: NONE	CHECKED BY: RSI	SHEET: 1 OF 1



P.O. Box 500
 899 S. Prairie Lane
 Marshfield, MO 65706
 Phone: (417)859-6067
 Fax: (417)859-2109

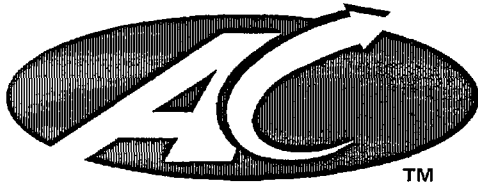
Model: HITACHI 5002SC-H

CAPACITY -1,000 BTU/Hr, 60 Hz. HITACHI 5002 COMPRESSOR

SCT →	77	81	85	89	93	97	101	105	109	113	117	121	125	129	133	137	141	145
SST																		
5	391.1	381.9	372.2	362.3	352.0	341.5	330.8	320.0	308.9	297.8	286.6	275.4	264.2	253.0	242.0	231.0	220.2	209.6
10	439.1	428.6	417.9	407.1	396.0	384.7	373.3	361.7	350.1	338.3	326.4	314.5	302.5	290.5	278.4	266.4	254.4	242.4
15	488.8	477.3	465.6	453.9	442.0	430.0	417.9	405.7	393.4	380.9	368.3	355.7	342.9	330.0	316.9	303.8	290.5	277.2
20	541.4	528.9	516.4	503.8	491.1	478.4	465.6	452.7	439.6	426.4	413.1	399.6	386.0	372.1	358.1	343.8	329.4	314.6
25	598.1	584.7	571.3	557.8	544.3	530.8	517.2	503.5	489.6	475.6	461.5	447.1	432.5	417.7	402.6	387.2	371.5	355.4
30	660.1	645.7	631.4	617.0	602.6	588.2	573.7	559.0	544.2	529.3	514.1	498.7	483.1	467.2	451.0	434.4	417.5	400.2
31	673.2	658.7	644.1	629.6	615.0	600.4	585.6	570.8	555.8	540.6	525.2	509.6	493.7	477.6	461.2	444.4	427.2	409.7
32	686.6	671.9	657.2	642.4	627.6	612.8	597.8	582.7	567.5	552.1	536.5	520.7	504.6	488.2	471.5	454.5	437.1	419.3
33	700.3	685.4	670.4	655.5	640.5	625.4	610.3	595.0	579.5	563.9	548.0	532.0	515.7	499.0	482.1	464.9	447.2	429.2
34	714.3	699.1	684.0	668.8	653.6	638.3	622.9	607.4	591.7	575.9	559.8	543.5	526.9	510.1	492.9	475.4	457.5	439.3
35	728.5	713.2	697.9	682.5	667.0	651.5	635.9	620.1	604.2	588.1	571.7	555.2	538.4	521.3	503.9	486.1	468.0	449.6
36	743.1	727.6	712.0	696.4	680.7	665.0	649.1	633.1	616.9	600.5	583.9	567.1	550.0	532.7	515.0	497.1	478.7	460.1
37	757.9	742.2	726.5	710.6	694.7	678.7	662.6	646.3	629.8	613.2	596.4	579.3	561.9	544.3	526.4	508.2	489.7	470.8
38	773.1	757.2	741.2	725.2	709.0	692.8	676.4	659.8	643.1	626.1	609.0	591.7	574.1	556.2	538.0	519.6	500.8	481.7
39	---	772.5	756.3	740.0	723.6	707.1	690.4	673.6	656.6	639.3	621.9	604.3	586.4	568.3	549.9	531.2	512.2	492.8
40	---	788.2	771.8	755.2	738.5	721.7	704.8	687.6	670.3	652.8	635.1	617.2	599.0	580.6	561.9	543.0	523.8	504.2
41	---	804.2	787.5	770.7	753.8	736.7	719.4	702.0	684.3	666.5	648.5	630.3	611.8	593.1	574.2	555.0	535.6	515.9
42	---	820.6	803.7	786.6	769.3	751.9	734.4	716.6	698.7	680.5	662.2	643.6	624.9	605.9	586.7	567.3	547.6	527.7
43	---	837.3	820.1	802.8	785.3	767.5	749.6	731.6	713.3	694.8	676.1	657.3	638.2	619.0	599.5	579.8	559.9	539.8
44	---	854.4	837.0	819.3	801.5	783.5	765.2	746.8	728.2	709.4	690.4	671.2	651.8	632.2	612.5	592.6	572.5	552.2
45	---	---	854.2	836.3	818.1	799.8	781.2	762.4	743.4	724.2	704.9	685.3	665.6	645.8	625.7	605.6	585.3	564.8
46	---	---	871.8	853.6	835.1	816.4	797.4	778.3	758.9	739.4	719.7	699.8	679.7	659.6	639.3	618.8	598.3	577.7
47	---	---	889.8	871.3	852.4	833.4	814.1	794.5	774.8	754.8	734.7	714.5	694.1	673.6	653.0	632.4	611.6	590.9
48	---	---	908.2	889.3	870.2	850.7	831.0	811.1	790.9	770.6	750.1	729.5	708.8	688.0	667.1	646.1	625.2	604.3
49	---	---	927.0	907.8	888.3	868.5	848.3	828.0	807.4	786.7	765.8	744.8	723.7	702.6	681.4	660.2	639.1	618.0
50	---	---	946.3	926.7	906.8	886.6	866.0	845.3	824.3	803.1	781.8	760.4	738.9	717.4	696.0	674.5	653.2	632.0

Legend: SCT = Saturated Condensing Temperature, R-22.
 SST = Saturated Suction Temperature, R-22.

- Notes:
1. Data subject to a +/- 5% tolerance.
 2. Data based on 9 degrees Fahrenheit Subcooling & Superheat.
 3. --- indicates conditions outside of the approved operating range.
 4. Operation outside the range of 14-46 deg F SST or 95-130 SCT is limited.
 See ACCS publication **AC-02-006-01-0051** for details.



COMPONENT SPECIALISTS

P.O. Box 500
 899 S. Prairie Lane
 Marshfield, MO 65706
 Phone: (417)859-6067
 Fax: (417)859-2109

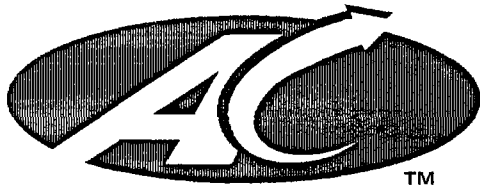
Model: HITACHI 5002SC-H

AMPS -230V/3/60 Hz. HITACHI 5002 COMPRESSOR

SCT →	77	81	85	89	93	97	101	105	109	113	117	121	125	129	133	137	141	145	
SST																			
5	89.9	94.7	99.6	104.6	109.6	114.8	120.0	125.3	130.8	136.3	141.9	147.6	153.4	159.3	165.3	171.4	177.7	184.0	
10	91.7	96.5	101.5	106.5	111.6	116.9	122.2	127.6	133.0	138.6	144.3	150.1	155.9	161.9	168.0	174.1	180.4	186.8	
15	93.4	98.3	103.3	108.4	113.6	118.9	124.3	129.8	135.3	141.0	146.7	152.6	158.5	164.5	170.7	176.9	183.2	189.6	
20	95.2	100.2	105.2	110.4	115.6	121.0	126.4	132.0	137.6	143.3	149.2	155.1	161.1	167.2	173.3	179.6	185.9	192.3	
25	97.0	102.0	107.1	112.3	117.6	123.0	128.6	134.2	139.9	145.7	151.6	157.6	163.6	169.8	176.0	182.3	188.7	195.1	
30	98.8	103.8	109.0	114.2	119.6	125.1	130.7	136.4	142.2	148.1	154.0	160.1	166.2	172.4	178.7	185.0	191.4	197.9	
31	99.1	104.2	109.3	114.6	120.0	125.5	131.1	136.8	142.6	148.5	154.5	160.6	166.7	172.9	179.2	185.6	192.0	198.4	
32	99.5	104.5	109.7	115.0	120.4	125.9	131.5	137.3	143.1	149.0	155.0	161.1	167.2	173.5	179.8	186.1	192.5	199.0	
33	99.8	104.9	110.1	115.4	120.8	126.3	132.0	137.7	143.5	149.5	155.5	161.6	167.7	174.0	180.3	186.7	193.1	199.6	
34	100.2	105.3	110.4	115.8	121.2	126.7	132.4	138.2	144.0	149.9	156.0	162.1	168.3	174.5	180.8	187.2	193.6	200.1	
35	100.5	105.6	110.8	116.2	121.6	127.2	132.8	138.6	144.5	150.4	156.5	162.6	168.8	175.0	181.4	187.7	194.2	200.7	
36	100.9	106.0	111.2	116.5	122.0	127.6	133.3	139.0	144.9	150.9	156.9	163.1	169.3	175.6	181.9	188.3	194.7	201.2	
37	101.2	106.3	111.6	116.9	122.4	128.0	133.7	139.5	145.4	151.4	157.4	163.6	169.8	176.1	182.4	188.8	195.3	201.8	
38	101.6	106.7	111.9	117.3	122.8	128.4	134.1	139.9	145.8	151.8	157.9	164.1	170.3	176.6	183.0	189.4	195.8	202.3	
39	---	107.1	112.3	117.7	123.2	128.8	134.5	140.4	146.3	152.3	158.4	164.6	170.8	177.1	183.5	189.9	196.4	202.9	
40	---	107.4	112.7	118.1	123.6	129.2	135.0	140.8	146.7	152.8	158.9	165.1	171.3	177.7	184.0	190.5	196.9	203.4	
41	---	107.8	113.1	118.5	124.0	129.6	135.4	141.2	147.2	153.2	159.4	165.6	171.8	178.2	184.6	191.0	197.5	204.0	
42	---	108.2	113.4	118.9	124.4	130.0	135.8	141.7	147.7	153.7	159.9	166.1	172.4	178.7	185.1	191.6	198.0	204.6	
43	---	108.5	113.8	119.2	124.8	130.5	136.2	142.1	148.1	154.2	160.3	166.6	172.9	179.2	185.6	192.1	198.6	205.1	
44	---	108.9	114.2	119.6	125.2	130.9	136.7	142.6	148.6	154.7	160.8	167.1	173.4	179.8	186.2	192.6	199.1	205.7	
45	---	---	114.6	120.0	125.6	131.3	137.1	143.0	149.0	155.1	161.3	167.6	173.9	180.3	186.7	193.2	199.7	206.2	
46	---	---	114.9	120.4	126.0	131.7	137.5	143.5	149.5	155.6	161.8	168.1	174.4	180.8	187.2	193.7	200.2	206.8	
47	---	---	115.3	120.8	126.4	132.1	137.9	143.9	149.9	156.1	162.3	168.6	174.9	181.3	187.8	194.3	200.8	207.3	
48	---	---	115.7	121.2	126.8	132.5	138.4	144.3	150.4	156.5	162.8	169.1	175.4	181.9	188.3	194.8	201.3	207.9	
49	---	---	116.1	121.5	127.2	132.9	138.8	144.8	150.9	157.0	163.3	169.6	176.0	182.4	188.9	195.4	201.9	208.4	
50	---	---	116.4	121.9	127.6	133.3	139.2	145.2	151.3	157.5	163.7	170.1	176.5	182.9	189.4	195.9	202.4	209.0	

Legend: SCT = Saturated Condensing Temperature, R-22.
 SST = Saturated Suction Temperature, R-22.

- Notes:
1. Data subject to a +/- 5% tolerance.
 2. Data based on 9 degrees Fahrenheit Subcooling & Superheat.
 3. --- indicates conditions outside of the approved operating range.
 4. Operation outside the range of 14-46 deg F SST or 95-130 SCT is limited.
 See ACCS publication **AC- 02- 006- 01- 0051** for details.



COMPONENT SPECIALISTS

P.O. Box 500
 899 S. Prairie Lane
 Marshfield, MO 65706
 Phone: (417)859-6067
 Fax: (417)859-2109

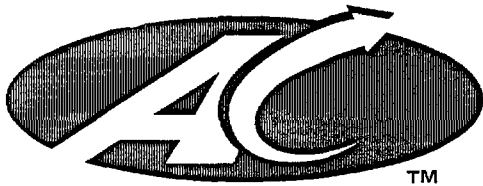
Model: HITACHI 5002SC-H

AMPS -460V/3/60 Hz. HITACHI 5002 COMPRESSOR

SCT →	77	81	85	89	93	97	101	105	109	113	117	121	125	129	133	137	141	145
SST																		
5	36.7	39.6	42.6	45.5	48.4	51.3	54.2	57.1	60.1	63.1	66.1	69.2	72.3	75.5	78.7	82.1	85.5	89.0
10	37.7	40.7	43.6	46.6	49.5	52.5	55.4	58.4	61.4	64.4	67.5	70.6	73.7	76.9	80.2	83.5	86.9	90.4
15	38.7	41.7	44.7	47.6	50.6	53.6	56.6	59.6	62.7	65.7	68.8	72.0	75.1	78.3	81.6	85.0	88.3	91.8
20	39.7	42.7	45.7	48.7	51.7	54.8	57.8	60.9	63.9	67.0	70.2	73.3	76.5	79.8	83.1	86.4	89.8	93.2
25	40.7	43.7	46.8	49.8	52.9	55.9	59.0	62.1	65.2	68.4	71.5	74.7	78.0	81.2	84.5	87.8	91.2	94.6
30	41.7	44.7	47.8	50.9	54.0	57.1	60.2	63.3	66.5	69.7	72.9	76.1	79.4	82.6	85.9	89.3	92.6	96.0
31	41.9	44.9	48.0	51.1	54.2	57.3	60.4	63.6	66.8	70.0	73.2	76.4	79.6	82.9	86.2	89.5	92.9	96.3
32	42.1	45.1	48.2	51.3	54.4	57.5	60.7	63.8	67.0	70.2	73.4	76.7	79.9	83.2	86.5	89.8	93.2	96.5
33	42.3	45.4	48.4	51.5	54.6	57.8	60.9	64.1	67.3	70.5	73.7	76.9	80.2	83.5	86.8	90.1	93.5	96.8
34	42.5	45.6	48.6	51.7	54.9	58.0	61.2	64.3	67.5	70.7	74.0	77.2	80.5	83.8	87.1	90.4	93.7	97.1
35	42.7	45.8	48.8	52.0	55.1	58.2	61.4	64.6	67.8	71.0	74.2	77.5	80.8	84.1	87.4	90.7	94.0	97.4
36	42.9	46.0	49.1	52.2	55.3	58.5	61.6	64.8	68.0	71.3	74.5	77.8	81.1	84.4	87.7	91.0	94.3	97.7
37	43.1	46.2	49.3	52.4	55.5	58.7	61.9	65.1	68.3	71.5	74.8	78.1	81.3	84.6	87.9	91.3	94.6	97.9
38	43.3	46.4	49.5	52.6	55.8	58.9	62.1	65.3	68.6	71.8	75.1	78.3	81.6	84.9	88.2	91.6	94.9	98.2
39	---	46.6	49.7	52.8	56.0	59.2	62.4	65.6	68.8	72.1	75.3	78.6	81.9	85.2	88.5	91.8	95.2	98.5
40	---	46.8	49.9	53.0	56.2	59.4	62.6	65.8	69.1	72.3	75.6	78.9	82.2	85.5	88.8	92.1	95.4	98.8
41	---	47.0	50.1	53.3	56.4	59.6	62.8	66.1	69.3	72.6	75.9	79.2	82.5	85.8	89.1	92.4	95.7	99.0
42	---	47.2	50.3	53.5	56.7	59.9	63.1	66.3	69.6	72.9	76.1	79.4	82.8	86.1	89.4	92.7	96.0	99.3
43	---	47.4	50.5	53.7	56.9	60.1	63.3	66.6	69.8	73.1	76.4	79.7	83.0	86.4	89.7	93.0	96.3	99.6
44	---	47.6	50.7	53.9	57.1	60.3	63.6	66.8	70.1	73.4	76.7	80.0	83.3	86.6	90.0	93.3	96.6	99.9
45	---	---	50.9	54.1	57.3	60.5	63.8	67.1	70.4	73.7	77.0	80.3	83.6	86.9	90.2	93.6	96.9	100.2
46	---	---	51.2	54.3	57.5	60.8	64.0	67.3	70.6	73.9	77.2	80.6	83.9	87.2	90.5	93.8	97.1	100.4
47	---	---	51.4	54.5	57.8	61.0	64.3	67.6	70.9	74.2	77.5	80.8	84.2	87.5	90.8	94.1	97.4	100.7
48	---	---	51.6	54.8	58.0	61.2	64.5	67.8	71.1	74.4	77.8	81.1	84.4	87.8	91.1	94.4	97.7	101.0
49	---	---	51.8	55.0	58.2	61.5	64.8	68.1	71.4	74.7	78.0	81.4	84.7	88.1	91.4	94.7	98.0	101.3
50	---	---	52.0	55.2	58.4	61.7	65.0	68.3	71.6	75.0	78.3	81.7	85.0	88.4	91.7	95.0	98.3	101.6

Legend: SCT = Saturated Condensing Temperature, R-22.
 SST = Saturated Suction Temperature, R-22.

- Notes: 1. Data subject to a +/- 5% tolerance.
 2. Data based on 9 degrees Fahrenheit Subcooling & Superheat.
 3. --- indicates conditions outside of the approved operating range.
 4. Operation outside the range of 14-46 deg F SST or 95-130 SCT is limited.
 See ACCS publication **AC- 02- 006- 01- 0051** for details.



COMPONENT SPECIALISTS

P.O. Box 500
 899 S. Prairie Lane
 Marshfield, MO 65706
 Phone: (417)859-6067
 Fax: (417)859-2109

Model: HITACHI 5002SC-H

KILOWATTS - 60 Hz. HITACHI 5002 COMPRESSOR

SCT →	77	81	85	89	93	97	101	105	109	113	117	121	125	129	133	137	141	145
SST																		
5	24.5	26.8	29.0	31.3	33.5	35.8	38.1	40.4	42.7	45.1	47.5	50.0	52.5	55.1	57.8	60.6	63.6	66.6
10	25.4	27.7	30.0	32.3	34.5	36.8	39.1	41.4	43.7	46.1	48.5	51.0	53.5	56.1	58.8	61.6	64.4	67.4
15	26.4	28.7	31.0	33.3	35.6	37.9	40.2	42.5	44.8	47.2	49.6	52.1	54.6	57.2	59.8	62.5	65.3	68.2
20	27.3	29.7	32.0	34.3	36.7	39.0	41.3	43.6	46.0	48.3	50.7	53.2	55.7	58.2	60.8	63.5	66.2	69.1
25	28.2	30.7	33.1	35.4	37.8	40.1	42.4	44.8	47.1	49.5	51.9	54.3	56.8	59.3	61.8	64.5	67.2	69.9
30	29.2	31.7	34.1	36.5	38.9	41.2	43.6	45.9	48.3	50.6	53.0	55.4	57.9	60.3	62.9	65.4	68.1	70.8
31	29.4	31.9	34.3	36.7	39.1	41.5	43.8	46.2	48.5	50.9	53.2	55.6	58.1	60.5	63.1	65.6	68.3	71.0
32	29.5	32.0	34.5	36.9	39.3	41.7	44.0	46.4	48.7	51.1	53.5	55.9	58.3	60.8	63.3	65.8	68.4	71.1
33	29.7	32.2	34.7	37.1	39.5	41.9	44.3	46.6	49.0	51.3	53.7	56.1	58.5	61.0	63.5	66.0	68.6	71.3
34	29.9	32.4	34.9	37.3	39.7	42.1	44.5	46.8	49.2	51.5	53.9	56.3	58.7	61.2	63.7	66.2	68.8	71.5
35	30.1	32.6	35.1	37.5	40.0	42.3	44.7	47.1	49.4	51.8	54.1	56.5	58.9	61.4	63.9	66.4	69.0	71.6
36	30.3	32.8	35.3	37.8	40.2	42.6	44.9	47.3	49.6	52.0	54.4	56.8	59.2	61.6	64.1	66.6	69.2	71.8
37	30.5	33.0	35.5	38.0	40.4	42.8	45.1	47.5	49.9	52.2	54.6	57.0	59.4	61.8	64.3	66.8	69.4	72.0
38	30.7	33.2	35.7	38.2	40.6	43.0	45.4	47.7	50.1	52.4	54.8	57.2	59.6	62.0	64.5	67.0	69.5	72.1
39	---	33.4	35.9	38.4	40.8	43.2	45.6	47.9	50.3	52.7	55.0	57.4	59.8	62.2	64.7	67.2	69.7	72.3
40	---	33.6	36.1	38.6	41.0	43.4	45.8	48.1	50.5	52.9	55.2	57.6	60.0	62.4	64.9	67.4	69.9	72.5
41	---	33.8	36.3	38.7	41.2	43.6	46.0	48.4	50.7	53.1	55.5	57.8	60.2	62.6	65.1	67.6	70.1	72.7
42	---	34.0	36.5	38.9	41.4	43.8	46.2	48.6	50.9	53.3	55.7	58.0	60.4	62.9	65.3	67.8	70.3	72.8
43	---	34.1	36.6	39.1	41.6	44.0	46.4	48.8	51.1	53.5	55.9	58.3	60.6	63.1	65.5	68.0	70.5	73.0
44	---	34.3	36.8	39.3	41.7	44.2	46.6	49.0	51.3	53.7	56.1	58.5	60.9	63.3	65.7	68.1	70.6	73.2
45	---	---	37.0	39.5	41.9	44.4	46.8	49.1	51.5	53.9	56.3	58.7	61.1	63.5	65.9	68.3	70.8	73.3
46	---	---	37.2	39.7	42.1	44.5	46.9	49.3	51.7	54.1	56.5	58.9	61.3	63.7	66.1	68.5	71.0	73.5
47	---	---	37.4	39.8	42.3	44.7	47.1	49.5	51.9	54.3	56.7	59.1	61.5	63.9	66.3	68.7	71.2	73.7
48	---	---	37.5	40.0	42.5	44.9	47.3	49.7	52.1	54.5	56.9	59.3	61.7	64.1	66.5	68.9	71.4	73.8
49	---	---	37.7	40.2	42.6	45.1	47.5	49.9	52.3	54.7	57.1	59.5	61.9	64.3	66.7	69.1	71.5	74.0
50	---	---	37.9	40.3	42.8	45.2	47.6	50.1	52.5	54.9	57.3	59.7	62.1	64.5	66.9	69.3	71.7	74.2

Legend: SCT = Saturated Condensing Temperature, R-22.
 SST = Saturated Suction Temperature, R-22.

- Notes: 1. Data subject to a +/- 5% tolerance.
 2. Data based on 9 degrees Fahrenheit Subcooling & Superheat.
 3. --- indicates conditions outside of the approved operating range.
 4. Operation outside the range of 14-46 deg F SST or 95-130 SCT is limited.
 See ACCS publication **AC- 02- 006- 01- 0051** for details.